

Official agent Benelux

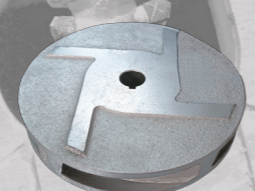
www.ipspumps.be



LIGHTWEIGHT
SUBMERSIBLE DEWATERING PUMP
EUB-M 10-20HP
SERIES 50HZ



High Chrome Steel Closed Impeller



Expelling solid design on the back of the impeller

Features

- Closed impeller design made of High Chrome Steel
- High resistance to abrasive liquids
- Stainless Steel outer casing & strainer
- EKK Eagle Burgmann double mechanical seal CA/CE & SIC/SIC
- Heat Treated Stainless Steel Shaft in AISI 410/420
- Efficient circumferential cooling for continuous duty

Applications

- Site drainage, mining, tunneling, public works, floods
- Cement industry, river intake, civil engineering projects

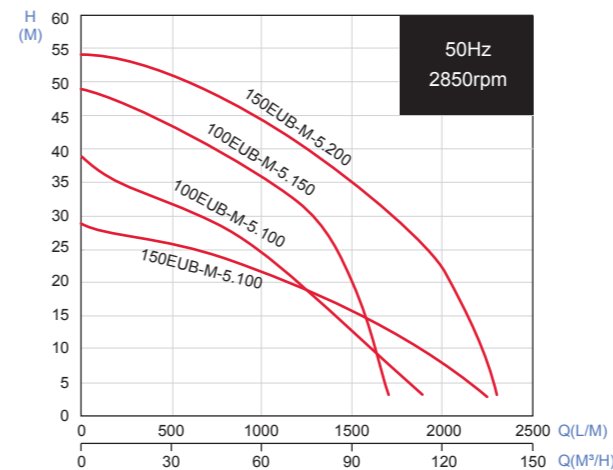
Data Chart

Type	Output		Discharge	F.L.A.		Rated		Maximum		Free Passage	Weight(W/O Cable)
	HP	kW		1ø 230V	3ø 400V	Head M	Cap. LPM	Head M	Cap. LPM		
100EUB-M-5.100	10	7.5	4"	-	16A	25	950	39	1850	10	74
150EUB-M-5.100	10	7.5	6"	-	16A	15	1500	29	2250	10	74.5
100EUB-M-5.150	15	11	4"	-	22A	35	1000	49	1700	10	90
150EUB-M-5.200	20	15	6"	-	29A	35	1500	54	2300	10	100

Specifications

Liquid Temperature		0~40°C (32~104°F)
Submersible depth		20M
Motor Part	Frequency	50Hz
	Pole	2 Pole
	Type	Dry Type
	Insulation	Class F
Pump Part	Protection	IP 68
	Protector	Auto-Cut
	Bearing	Ball Type
	Mechanical seal	Double Mechanical Seal
	Impeller	Closed Impeller

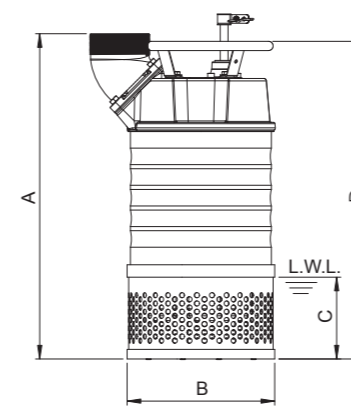
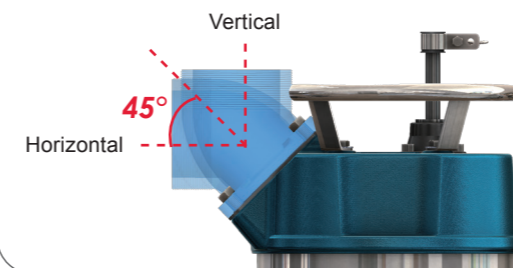
Performance Curve



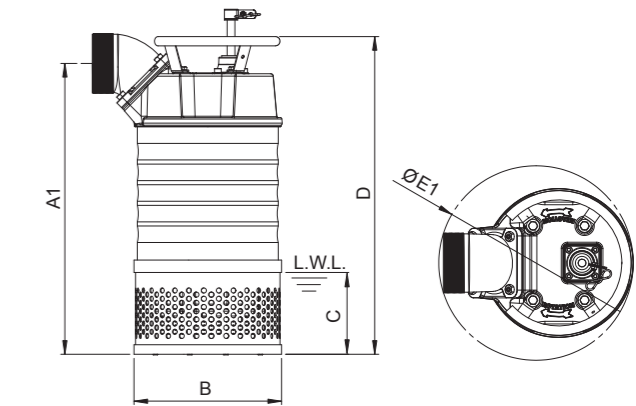
All technical information is subject to change without notice.

Standard Discharge Elbow

45° Elbow Bend to Select Discharge Direction



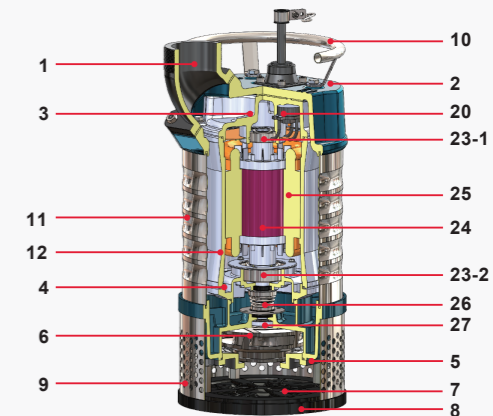
VERTICAL DISCHARGE MODE



HORIZONTAL DISCHARGE MODE

Dimensions (mm)

Type	A	A1	B	C	D	E	E1	F
100EUB-M-5.100	630	564	286	159	616	360	377	158
150EUB-M-5.100	637	579	286	159	616	390	389	173
100EUB-M-5.150	721	655	286	151	712	403	420	181
150EUB-M-5.200	721	665	286	151	712	423	440	201



Parts and Material List

No.	Part	Material
1	Discharge	AISI7Mg
2	Upper Cover	AISI7Mg
3	Motor Cover	AISI7Mg
4	Lower Bearing Bracket	EN-GJL-200
5	Pump Casing	EN-GJL-200 (10HP) ; EN-GJS-700 (15~20HP)
6	Impeller	High Chrome Steel
7	Suction Plate	EN-GJS-700 (10HP)
7-1	Seal Housing	AISI7Mg / NBR (15~20HP)
8	Base Plate	AISI7Mg
9	Strainer	AISI 304
10	Handle	AISI 304
11	Outer Casing	AISI 304
12	Motor Frame	AISI7Mg
20	Protector	YAMADA
23-1	Upper Bearing	NTN/TPI
23-2	Lower Bearing	NTN/TPI
24	Rotor and Shaft	AISI 410 (10HP) ; AISI 420 (15~20HP)
25	Stator	
26	Mechanical Seal	Upper:CA/CE Lower:SIC/SIC
27	Lip Seal	NBR

TPI is a family brand of NTN group.